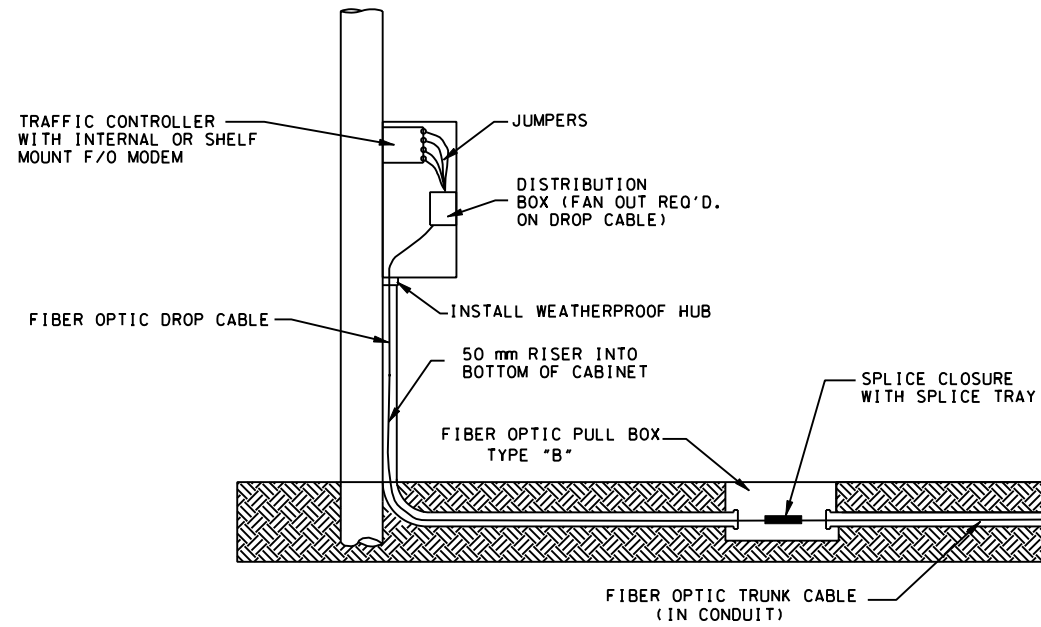
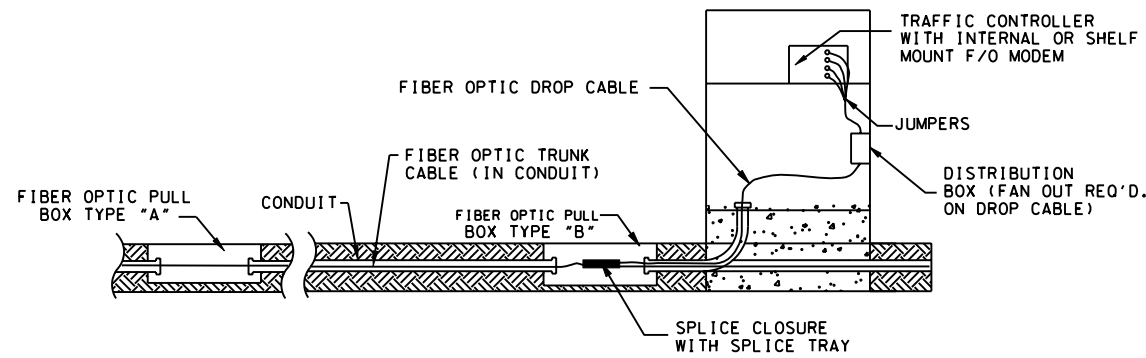


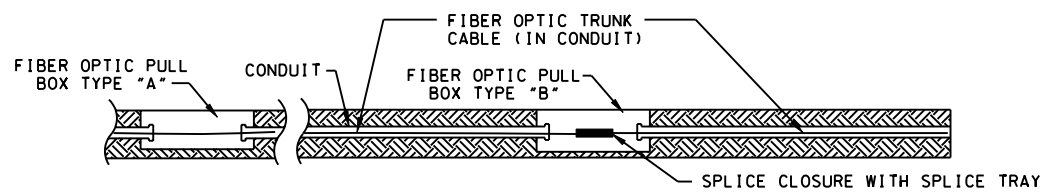
UNDERGROUND ENTRANCE INTO BASE MOUNTED CABINET (INTERNAL SPLICE-MAX. 12 FIBER SPLICES)



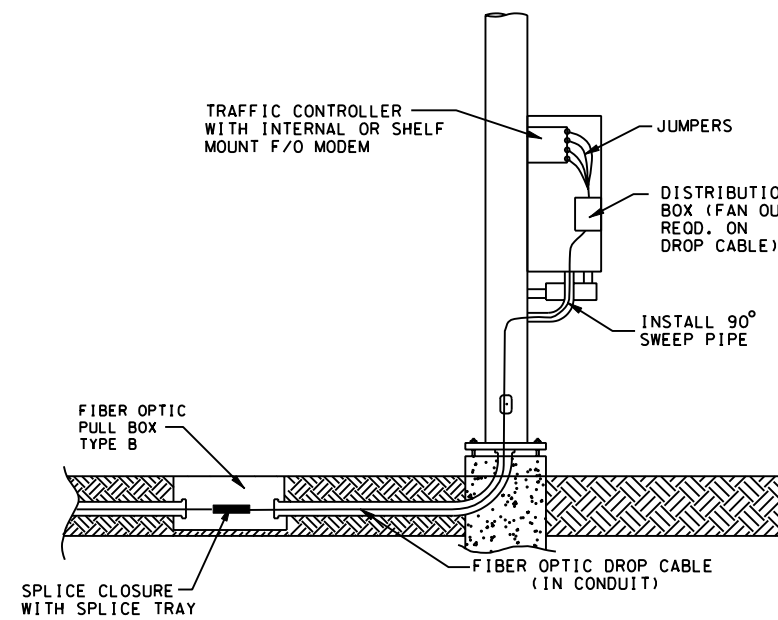
UNDERGROUND ENTRANCE FOR EMBEDDED STEEL, CONCRETE, OR WOOD POLE INTO POLE MOUNTED CABINET (EXTERNAL SPLICE)



UNDERGROUND ENTRANCE INTO BASE MOUNTED CABINET (EXTERNAL SPLICE)



TYPICAL UNDERGROUND SPLICE



UNDERGROUND ENTRANCE FOR STEEL POLE INTO POLE MOUNTED CABINET (EXTERNAL SPLICE)

GENERAL NOTES

- (A) CONDUIT FOR FIBER OPTIC CABLE REQUIRED TO UTILIZE LARGE RADIUS BENDS (MINIMUM RADIUS 150 mm) NO ELBOW JOINTS ALLOWED.
- (B) ALL UNDERGROUND SPLICES IN PULL BOXES TO CONTAIN SUFFICIENT SLACK FIBER TO PERFORM SPLICE ON MAINTENANCE VEHICLE (MINIMUM 7.6 m OF SLACK FOR EACH CABLE).
- (C) ALL CABINET SPLICES TO CONTAIN SUFFICIENT SLACK TO PERFORM SPLICE IN MAINTENANCE VEHICLE (MINIMUM OF 7.6 m OF SLACK FOR EACH CABLE).
- (D) ALL SPLICES TO BE FUSION UNLESS OTHERWISE NOTED.



ALL UNITS ARE IN MILLIMETERS UNLESS NOTED OTHERWISE.

MINOR REVISION -- FHWA APPROVAL NOT REQUIRED.

STATE OF TENNESSEE DEPARTMENT OF TRANSPORTATION

FIBER OPTIC UNDERGROUND ENTRANCE DETAILS

7-29-04 TM-FO-2

11/3/2004
 11:30:56 AM
 11/3/2004 9:55:30 AM